

THE MOST **ADVANCED** ALL-ELECTRIC TRUCKS ARE AVAILABLE **TODAY** WORLDWIDE.

The Boulder Electric Vehicle family of all-electric trucks are the most advanced EV's to ever hit the market. Capable of freeway speeds and an impressive 80 mile range on a single charge, our trucks are purpose built with the fleet customer in mind. Available platforms include a delivery van, box truck, service body and stake side work truck. Whatever your end solution may be, Boulder EV is sure to have a model that will suit your needs.

ZERO EMISSIONS
75 MPH TOP SPEED
VEHICLE-TO-GRID (V2G) CAPABLE
LESS EXPENSIVE TO MAINTAIN



TECHNICAL SPECIFICATIONS

Electric Drivetrain

Brushless DC Permanent-Magnet Motor
 Continuous Power: 100 kW
 Peak Rated Power: 140 kW / 188 hp
 Maximum Torque: 900 Nm / 664 lb-ft

Batteries

Lithium-Ion (Iron Phosphate)
 Energy: 72 kWh

Cab / Interior

Lightweight & Durable Fiberglass Construction
 Temperature Control: Heat/AC/Heated Seats/
 Cab Fan/Heated Mirrors
 Main Driver Display: 10.4" LCD Touchscreen
 Rear View Camera w/ 7" LCD Monitor
 AM/FM/CD Stereo
 Remote Keyless Entry (Option)
 Dual Passenger Seat (Option)

Braking

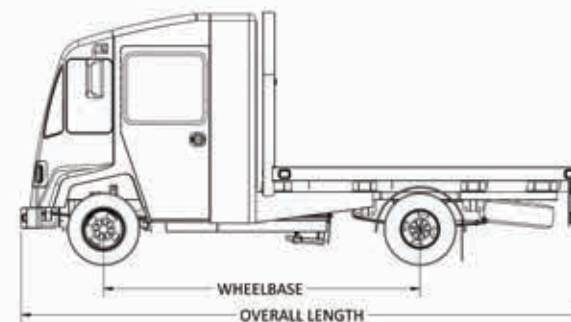
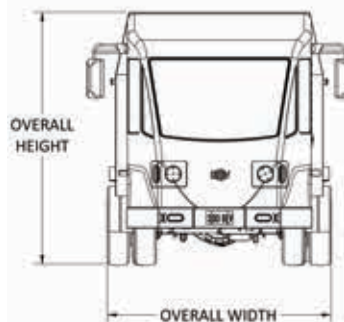
Regenerative braking puts energy back into the battery pack when the vehicle is coasting or braking
 Parking Brake & ABS

*Many different upfit options are available. Contact sales team for more info.

Vehicle-to-Grid (V2G)

Boulder EV has manufactured the 1st electric truck in the world to successfully demonstrate bi-directional DC quick charging. The US Army Corp of Engineers and the SPIDERS project signed off on verifying full charge and discharge of the vehicle at 60 kilowatts of power. Our V2G package can be integrated into any of our models.

SATISFIED CUSTOMERS



**THE FB-500 SERIES
 FLAT BED
 WORK
 TRUCK**

BED OPTIONS:

1. STAKE SIDES W/
TREADPLATE FLOOR
2. WOOD FLOOR W/
NO STAKES

**OTHER AVAILABLE
 CONFIGURATIONS:**

**BOX
 UTILITY/MAINTENANCE
 REFRIGERATED BOX**



Headquarters:
 1460 Overlook Drive
 Lafayette, CO 80026

Manufacturing Support:
 9655 Irondale Avenue
 Los Angeles, CA 91311

	Top Speed (mph)	Range (miles)	GVW (lbs)	Curb Vehicle Weight (lbs)	Payload (lbs)	Overall Length (in)	Overall Height (in)	Overall Width (in)	Wheelbase (in)	Turning Radius (ft)
DV-500	75	100	10,500	7,400	3,100	251	108	80	138	48
SB-500	75	80	11,500	8,400	3,100	248	108	95	138	48
DV-500BX	75	80	10,500	7,400	3,100	255	129	96	138	48
FB-500/FB-500s	75	80	11,500	8,400	3,100	243	108	96	138	48
PS-500	75	100	10,500	7,400	3,100	251	108	80	138	48

303.956.7527 | carter@boulderev.com



MADE IN THE USA

WWW.BOULDEREV.COM

